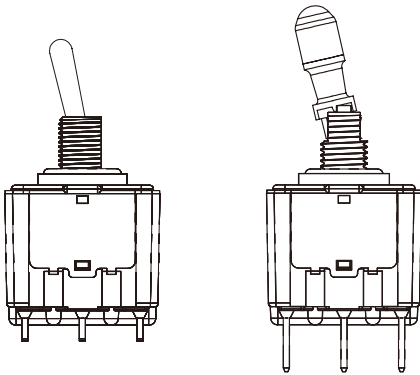


61058 Approved



SPECIFICATIONS:

CONTACT RATING: Refer to "Contact Material Options" for more info.
 ELECTRICAL LIFE: 100,000 make-and-break cycles at full load.
 CONTACT RESISTANCE: 10mΩ max. initial.
 INSULATION RESISTANCE: 1,000MΩ min.@ 500VDC.
 DIELECTRIC STRENGTH: 2,000V RMS @ sea level.
 OPERATING TEMPERATURE: -30°C TO +85°C.
 IP67 FRONT PANEL PROTECTION.

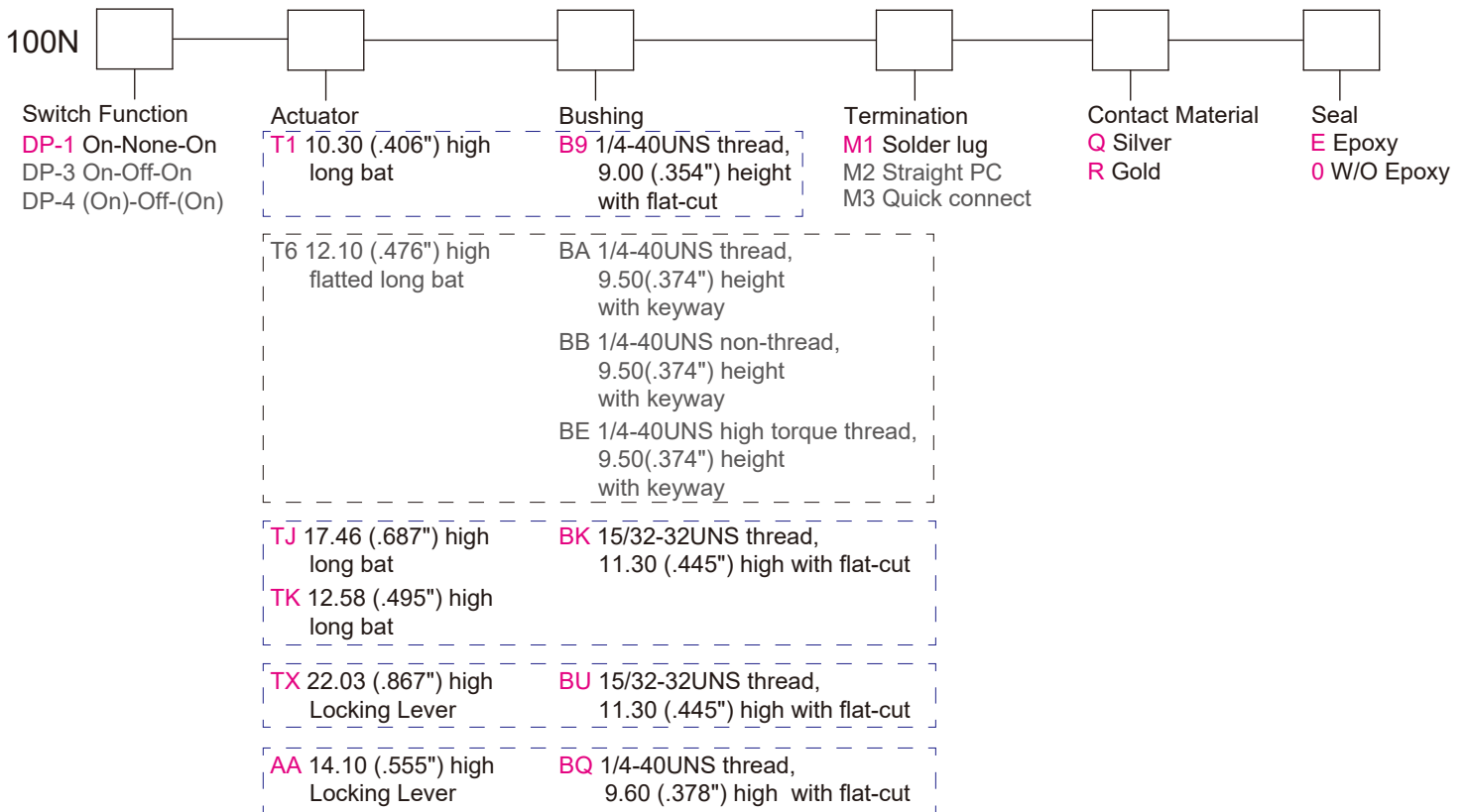
MATERIALS:

CASE: Diallyl phthalate(DAP)(UL 94V-0).
 TOGGLE HANDLE: Brass, chrome plated.
 BUSHING: Brass, nickel plated.
 HOUSING: Stainless Steel.
 TERMINAL SEAL: Epoxy.

Specifications and Dimensions subject to change

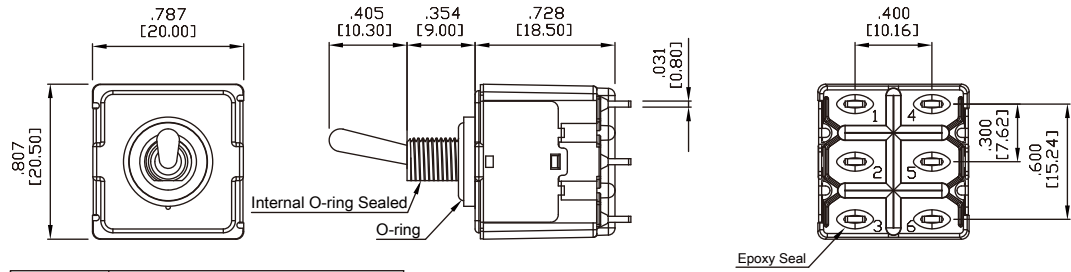
If your preferred product configuration is not shown, please contact our sales representative for custom design.

HOW TO ORDER SYSTEM



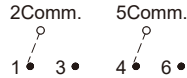
*The dotted box represents only configuration for the specific Actuator and Bushing

DPDT



Model No.	Switching Position		
DP-1	ON	NONE	ON
DP-3	ON	OFF	ON
DP-4	(ON)	OFF	(ON)
Term. Comm.	2-3,5-6	OPEN	2-1,5-4

Schematic



ACTUATOR OPTIONS

T1	TJ	TK	TX	AA
<p>.118 DIA [ø3.00] .405 [10.30]</p> <p>T1B9</p>	<p>.205 DIA [ø5.20] .687 [17.46]</p> <p>TJBK</p>	<p>.205 DIA [ø5.20] .495 [12.58]</p> <p>TKBK</p>	<p>.335 DIA [ø8.50] .867 [22.03]</p> <p>TXBU</p>	<p>.555 [14.10]</p> <p>AABQ</p>

BUSHING OPTIONS

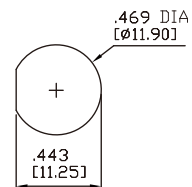
B9	BK	BQ	BU
<p>Flat Side .220 [5.60] ø.465 [ø11.80]</p> <p>1/4-40UNS .295 [7.50] .059 [1.50]</p>	<p>Flat Side .433 [11.00] ø.630 [ø16.00]</p> <p>15/32-32 UNS .386 [9.80] .059 [1.50]</p>	<p>1/4-40UNS .319 [8.10] .059 [1.50]</p>	<p>Flat Side .433 [11.00] ø.630 [ø16.00]</p> <p>15/32-32 UNS .386 [9.80] .059 [1.50]</p>

PANEL MOUNTING

1/4 INCH BUSHING

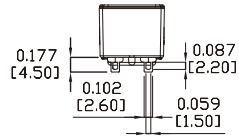


15/32 INCH BUSHING



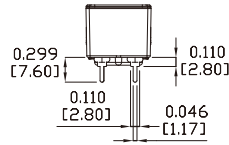
TERMINATION OPTIONS

M1 SOLDER LUG



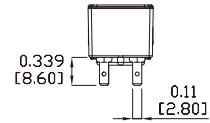
THK .031 [0.8]

M2 Straight PC



THK .031 [0.8]

M3 QUICK CONNECT



THK .031 [0.8]

CONTACT MATERIAL OPTIONS

Coding	Contact Material	Terminal Plating	Rating	Agency Approvals
Q	Silver ¹	Silver plated ¹	6Amps @ 250VAC 10Amps @ 125VAC 6Amps @ 48VDC	
R	Gold ²	Gold plated ⁴	0.4VA max @ 20V max (AC or DC)	

- 1. Movable Contact / Terminals: Copper alloy, silver plated.
- 2. Movable Contact: Copper alloy with gold plated over nickel plated.
- 4. Terminals: Copper alloy, with gold plated over nickel plated.

61058 Approved



SPECIFICATIONS:

CONTACT RATING: Refer to "Contact Material Options" for more info.
 ELECTRICAL LIFE: 50,000 make-and-break cycles at full load.
 CONTACT RESISTANCE: 10mΩ max. initial.
 INSULATION RESISTANCE: 1,000MΩ min. @500VDC.
 DIELECTRIC STRENGTHS: 2,000V RMS @ sea level.
 OPERATING TEMPERATURE: -30°C to +85°C.

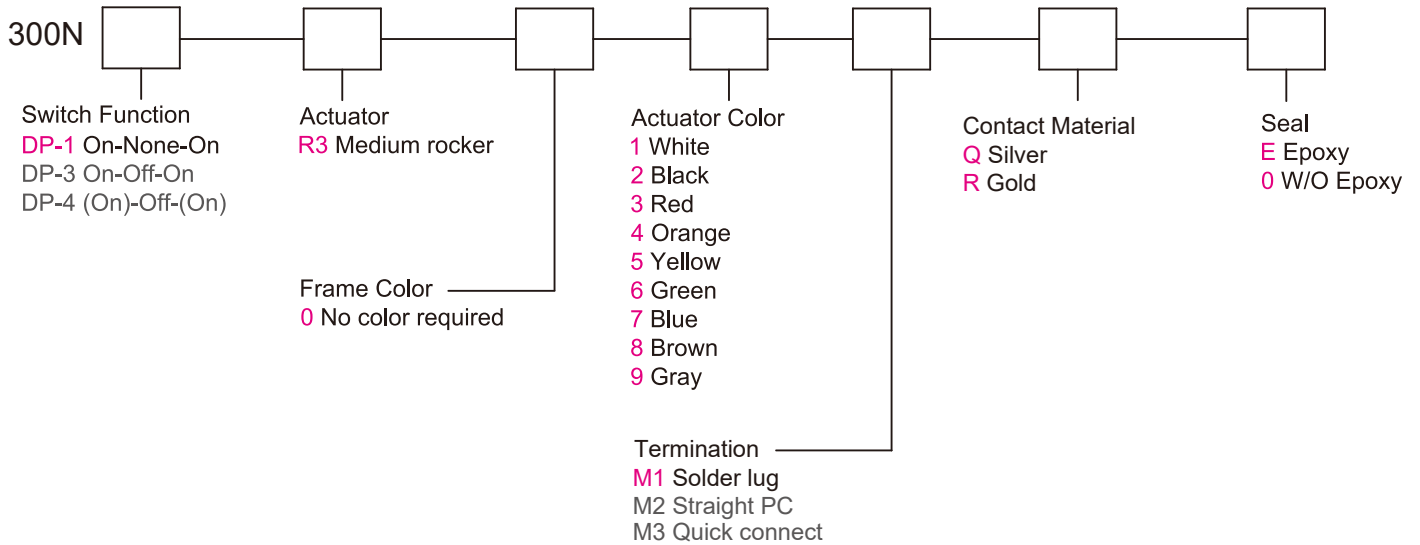
MATERIALS:

CASE: Diallyl phthalate(DAP)(UL 94V-0).
 ROCKERS: Nylon 6/6 or ABS.
 BUSHING: Zinc, nickel plated.
 HOUSING: Stainless steel.
 FRONT/REAR MOUNTING: Stainless steel.
 SWITCH SUPPORT: Brass, tin plated.
 TERMINAL SEAL: Epoxy.

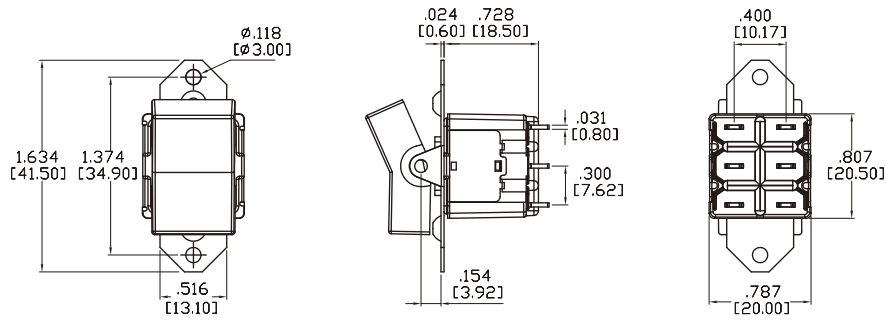
Specifications and Dimensions subject to change

If your preferred product configuration is not shown, please contact our sales representative for custom design.

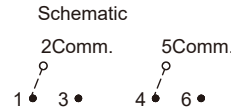
HOW TO ORDER SYSTEM



DPDT

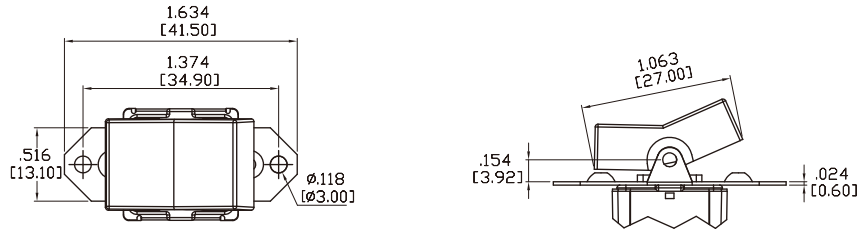


Model No.	Switching Position		
DP-1	ON	NONE	ON
DP-3	ON	OFF	ON
DP-4	(ON)	OFF	(ON)
Term. Comm.	2-3,5-6	OPEN	2-1,5-4



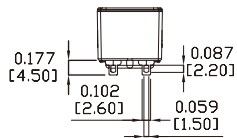
ACTUATOR OPTIONS FOR PANEL REAR MOUNT

R3



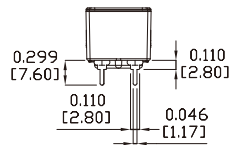
TERMINATION OPTIONS

M1 SOLDER LUG



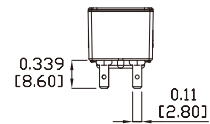
THK .031 [0.8]

M2 Straight PC



THK .031 [0.8]

M3 QUICK CONNECT



THK .031 [0.8]

CONTACT MATERIAL OPTIONS

Coding	Contact Material	Terminal Plating	Rating	Agency Approvals
Q	Silver ¹	Silver plated ¹	6Amps @ 250VAC 10Amps @ 125VAC 6Amps @ 48VDC	
R	Gold ²	Gold plated ⁴	0.4VA max @ 20V max (AC or DC)	

1. Movable Contact / Terminals: Copper alloy, silver plated.
2. Movable Contact: Copper alloy with gold plated over nickel plated.
3. Terminals: Copper alloy, silver plated.
4. Terminals: Copper alloy, with gold plated over nickel plated.