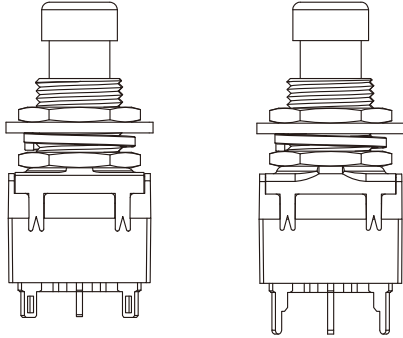


**SPECIFICATIONS:**

CONTACT RATING: 2A/4A 250/125VAC, 2A/4A 24/12VDC.  
 ELECTRICAL LIFE: 20,000 make-and-break cycles at full load.  
 CONTACT RESISTANCE: 50m-ohms max. initial @2-4VDC  
 INSULATION RESISTANCE: 500VDC 100M-ohms min.  
 DIELECTRIC STRENGTH: 1,500VAC for 1 minute.  
 OPERATING FORCE: SPDT (M1 & M2) 1500gf, DPDT (M1) 1600gf (M2) 1900gf, 3PDT (M1 & M2) 3500gf.  
 OPERATING TEMPERATURE: -20°C to +65°C

**NEW !**



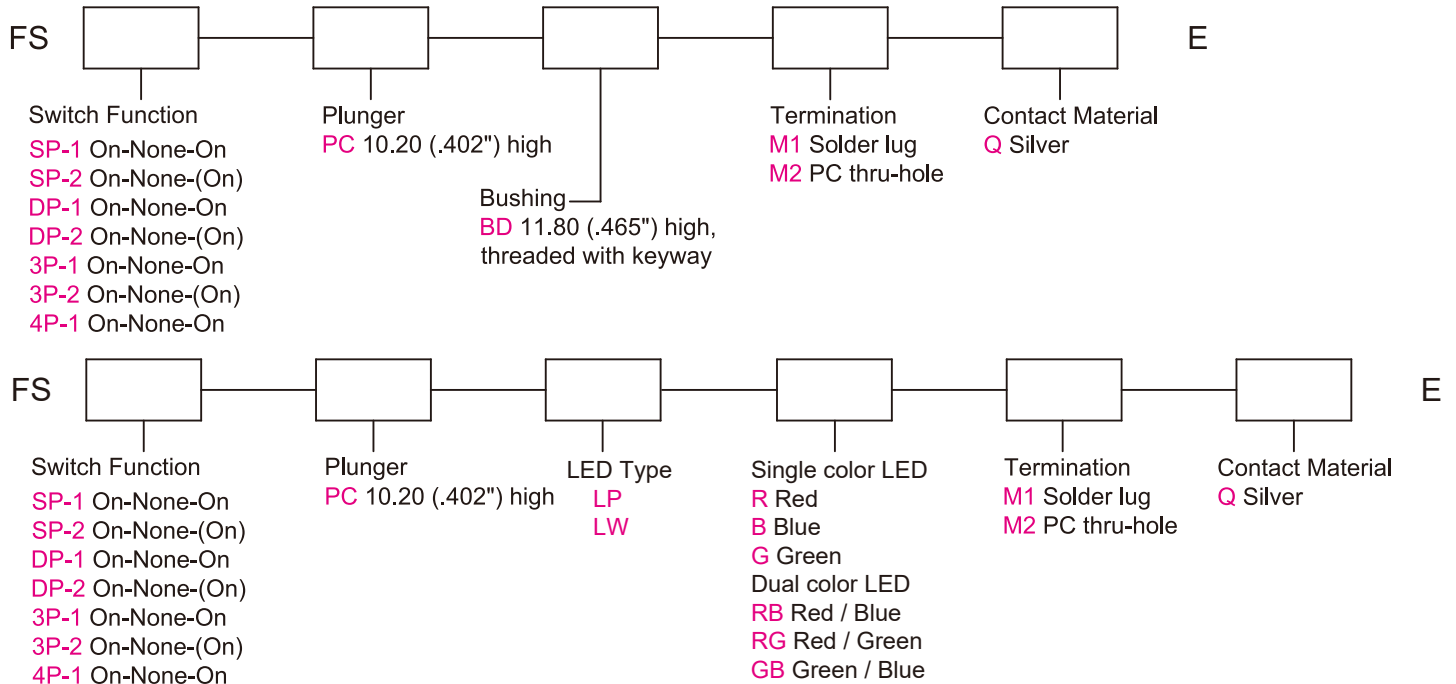
**MATERIALS:**

BASE: Nylon 66 (UL94V-0).  
 PLUNGER & CAP: Brass, nickel plated.  
 BUSHING: Brass, nickel plated  
 COVER: Stainless steel.  
 PIVOT PIN: Brass or POM.  
 SPRING: Piano wire.  
 TERMINAL & CONTACT: Copper, tin plated.  
 NUT: Brass, nickel plated.  
 RING: POM.  
 WASHER: Steel, nickel plated.

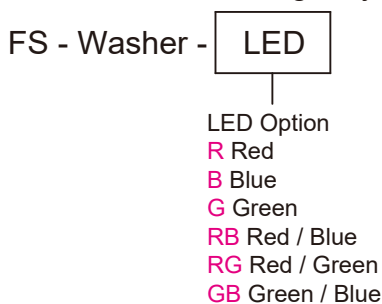
Specifications and Dimensions subject to change

If your preferred product configuration is not shown, please contact our sales representative for custom design.

**HOW TO ORDER SYSTEM**



For LED Washer ring only

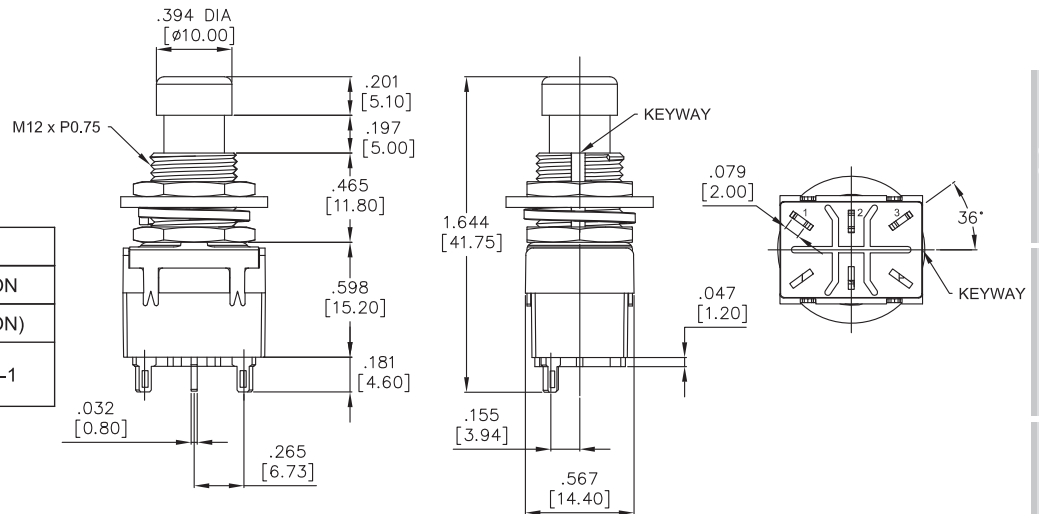


## SPDT



Model No.	Switching Position		
SP-1	ON	NONE	ON
SP-2	ON	NONE	(ON)
Term. Comm.	2-3	OPEN	2-1

Schematic

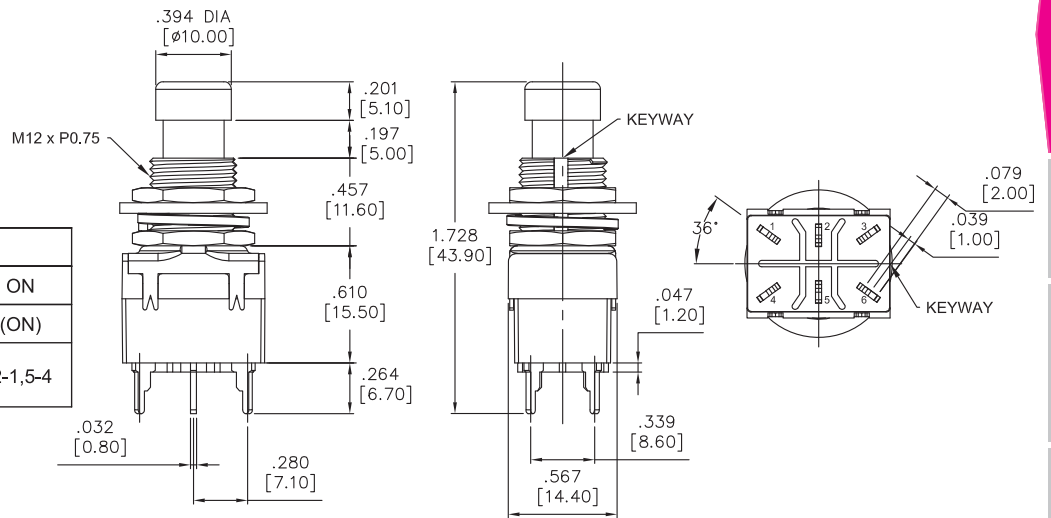
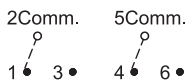


## DPDT



Model No.	Switching Position		
DP-1	ON	NONE	ON
DP-2	ON	NONE	(ON)
Term. Comm.	2-3,5-6	OPEN	2-1,5-4

Schematic

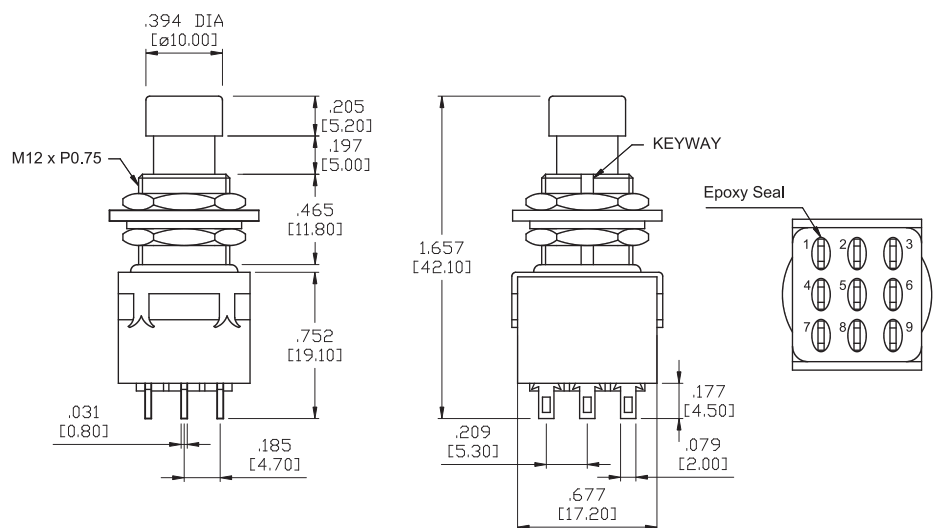


## 3PDT



Model No.	Switching Position		
3P-1	ON	NONE	ON
3P-2	ON	NONE	(ON)
Term. Comm.	2-3,5-6 8-9	OPEN	2-1,5-4 8-7

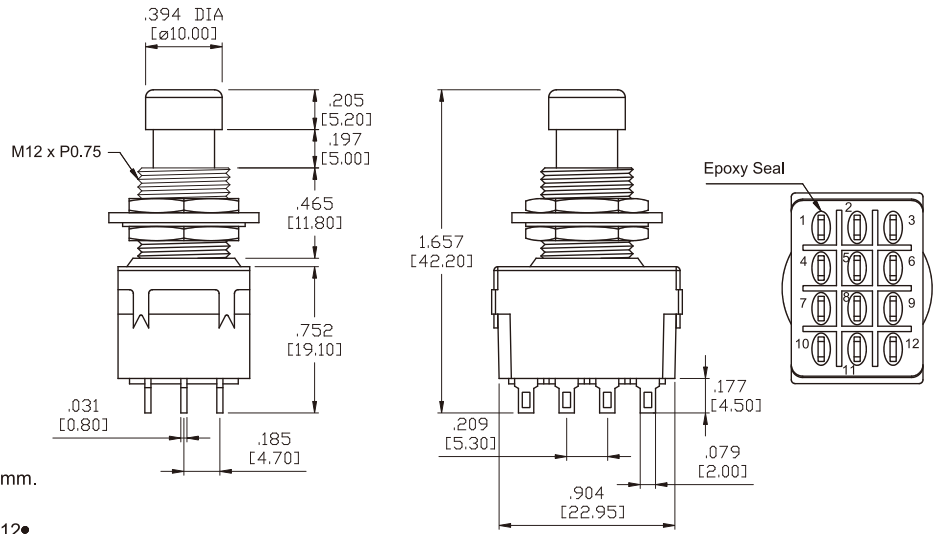
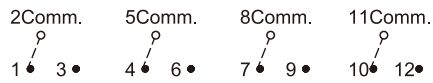
Schematic



## 4PDT

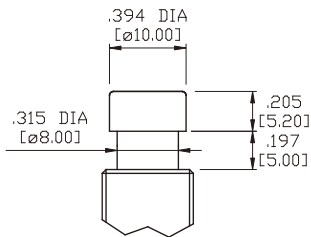
Model No.	Switching Position		
4P-1	ON	NONE	ON
Term. Comm.	2-3,5-6 8-9,11-12	OPEN	2-1,5-4 8-7,11-10

Schematic

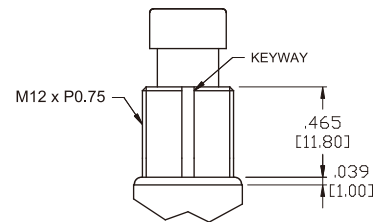


## PLUNGER & BUSHING OPTIONS

### PC

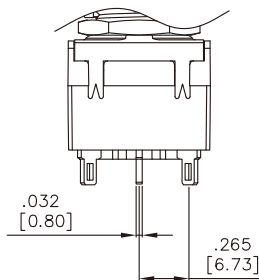


### BD

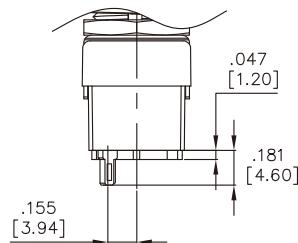


## TERMINATION OPTIONS

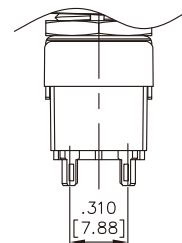
### M1



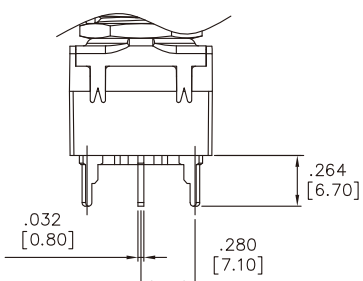
### SP



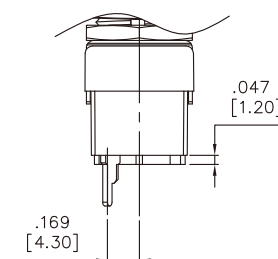
### DP



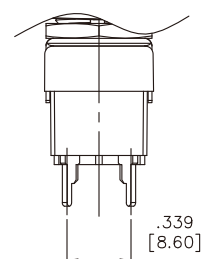
### M2



### SP

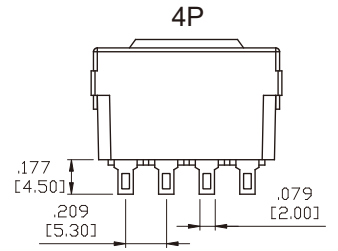
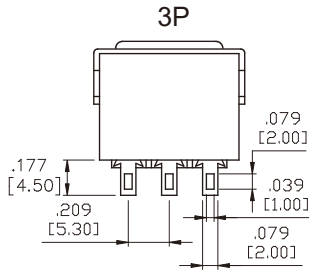
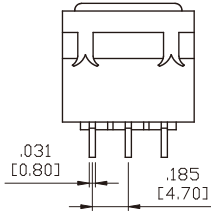


### DP

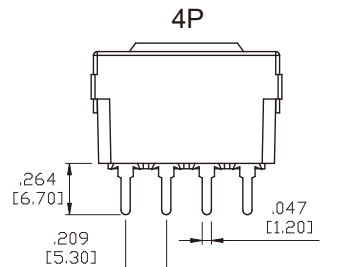
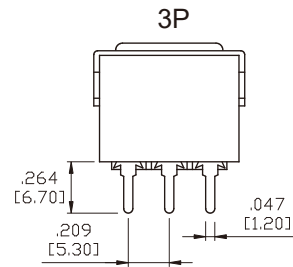
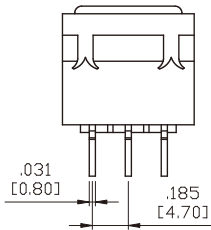


TERMINATION OPTIONS

M1



M2

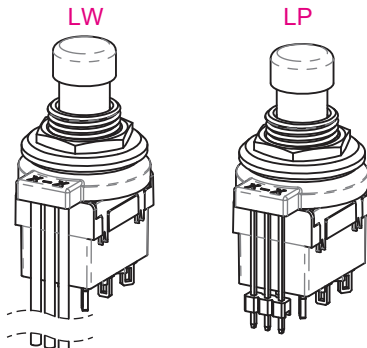
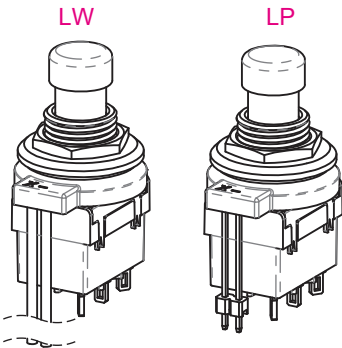


LED TYPE

LED COLOR OPTION

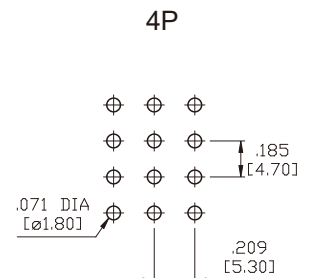
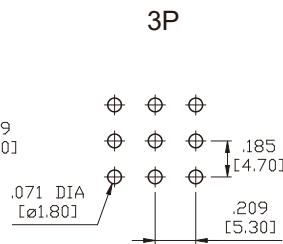
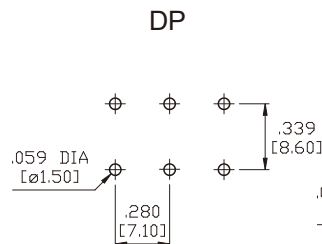
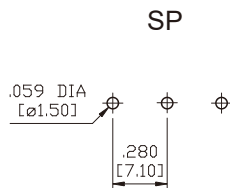
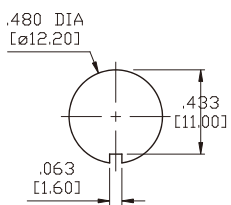
SINGLE COLOR LED

DUAL COLOR LED



Code	Single color LED
R	Red
B	Blue
G	Green
Code	Dual color LED
RB	Red / Blue
RG	Red / Green
GB	Green / Blue

PANEL & PC MOUNTING



Panel Thickness 3.00mm max.

Toggle

Rocker

Slide

Pushbutton

AV

Rotary

Tact

Touch Key

Miscellaneous