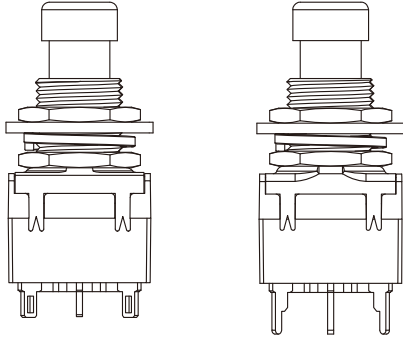


SPECIFICATIONS:

CONTACT RATING: 2A/4A 250/125VAC, 2A/4A 24/12VDC.
 ELECTRICAL LIFE: 20,000 make-and-break cycles at full load.
 CONTACT RESISTANCE: 50m-ohms max. initial @2-4VDC
 INSULATION RESISTANCE: 500VDC 100M-ohms min.
 DIELECTRIC STRENGTH: 1,500VAC for 1 minute.
 OPERATING FORCE: SPDT (M1 & M2) 1500gf, DPDT (M1) 1600gf (M2) 1900gf, 3PDT (M1 & M2) 3500gf.
 OPERATING TEMPERATURE: -20°C to +65°C

NEW !



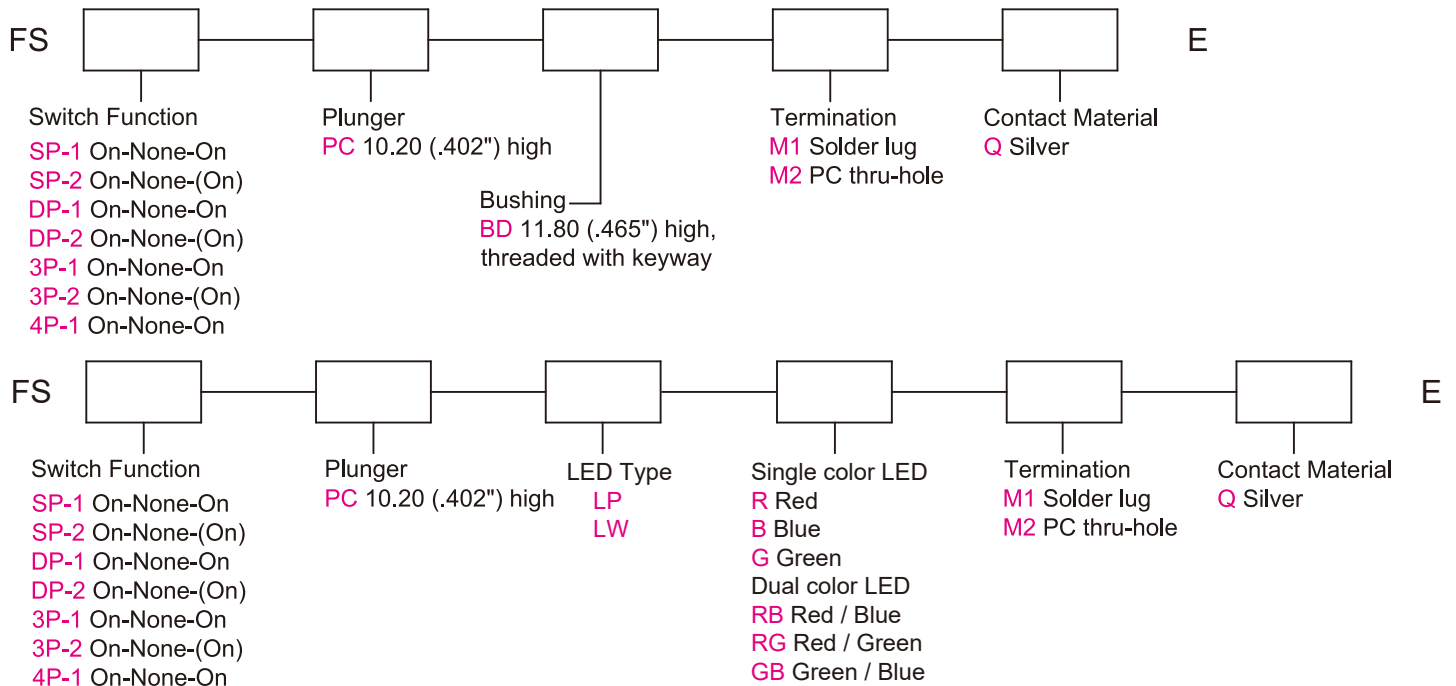
MATERIALS:

BASE: Nylon 66 (UL94V-0).
 PLUNGER & CAP: Brass, nickel plated.
 BUSHING: Brass, nickel plated
 COVER: Stainless steel.
 PIVOT PIN: Brass or POM.
 SPRING: Piano wire.
 TERMINAL & CONTACT: Copper, tin plated.
 NUT: Brass, nickel plated.
 RING: POM.
 WASHER: Steel, nickel plated.

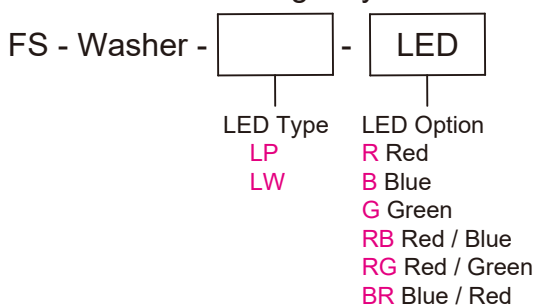
Specifications and Dimensions subject to change

If your preferred product configuration is not shown, please contact our sales representative for custom design.

HOW TO ORDER SYSTEM



For LED Washer ring only

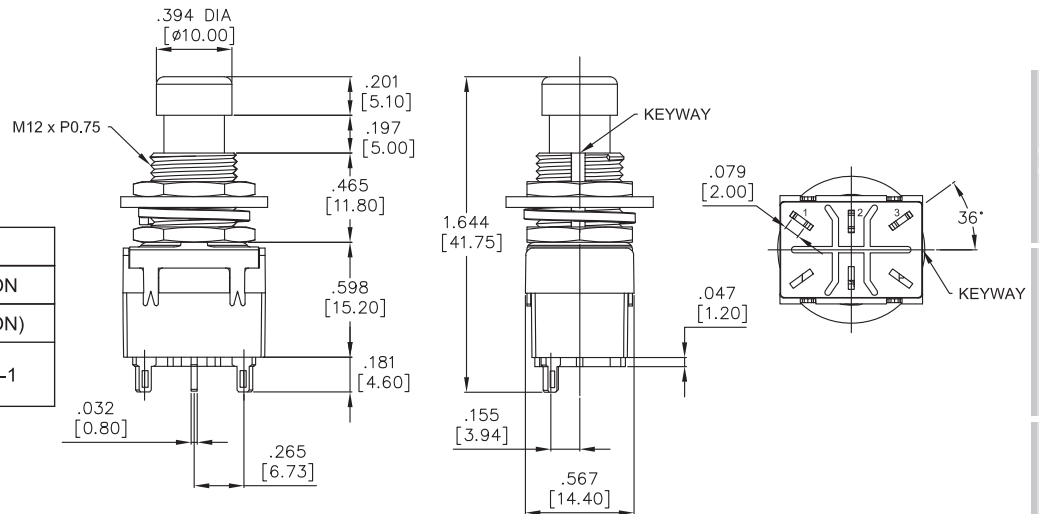


SPDT



Model No.	Switching Position		
SP-1	ON	NONE	ON
SP-2	ON	NONE	(ON)
Term. Comm.	2-3	OPEN	2-1

Schematic

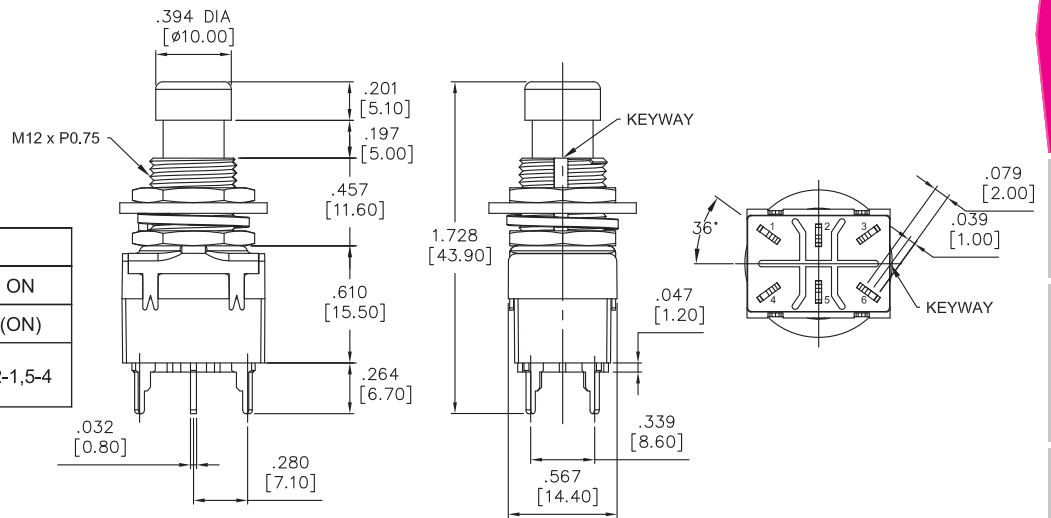
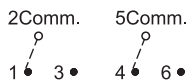


DPDT



Model No.	Switching Position		
DP-1	ON	NONE	ON
DP-2	ON	NONE	(ON)
Term. Comm.	2-3,5-6	OPEN	2-1,5-4

Schematic

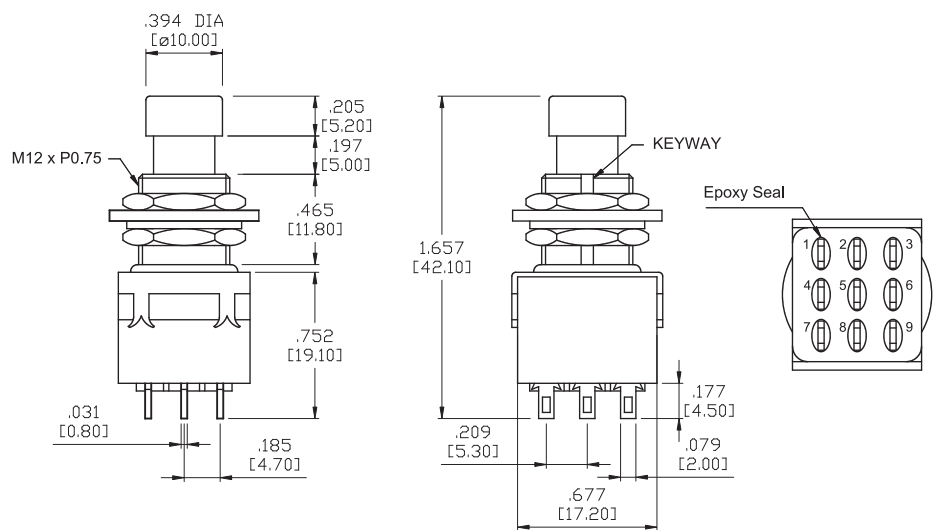


3PDT



Model No.	Switching Position		
3P-1	ON	NONE	ON
3P-2	ON	NONE	(ON)
Term. Comm.	2-3,5-6 8-9	OPEN	2-1,5-4 8-7

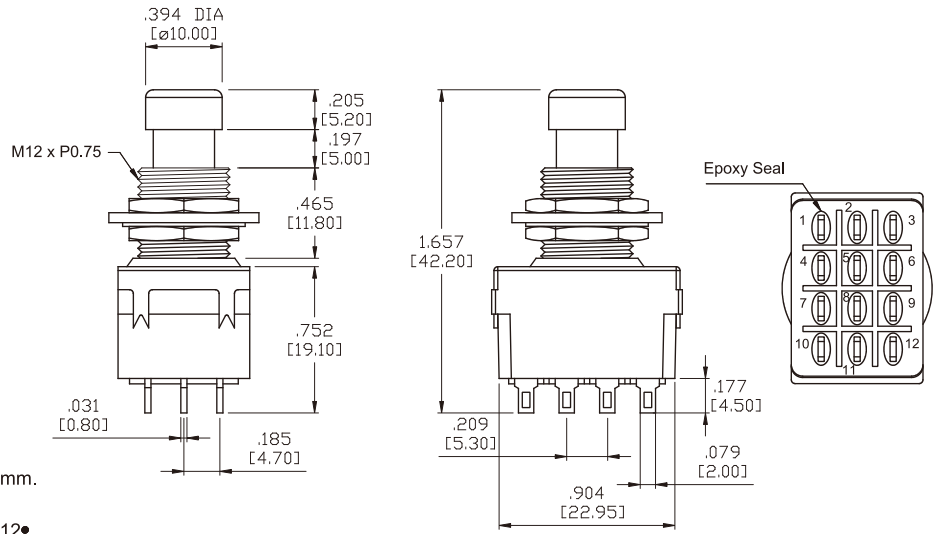
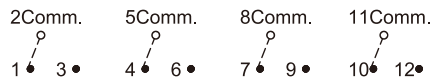
Schematic



4PDT

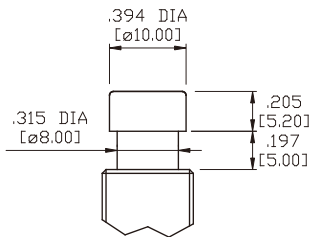
Model No.	Switching Position		
4P-1	ON	NONE	ON
Term. Comm.	2-3,5-6 8-9,11-12	OPEN	2-1,5-4 8-7,11-10

Schematic

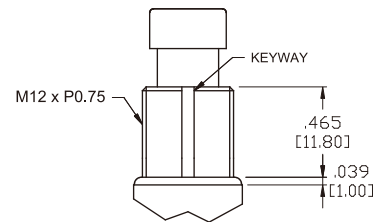


PLUNGER & BUSHING OPTIONS

PC

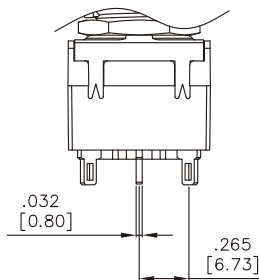


BD

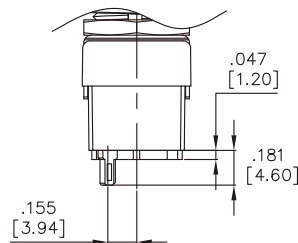


TERMINATION OPTIONS

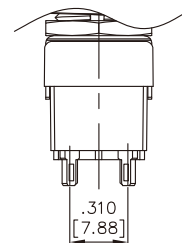
M1



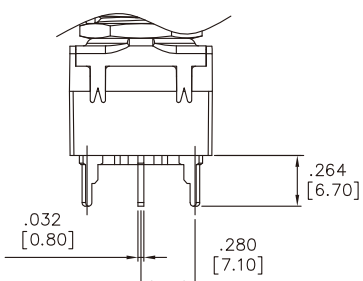
SP



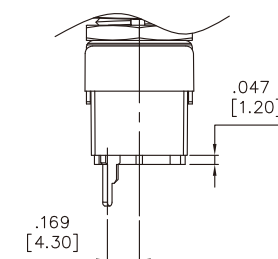
DP



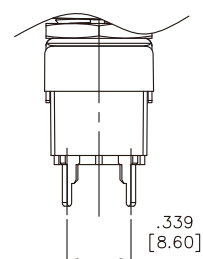
M2



SP

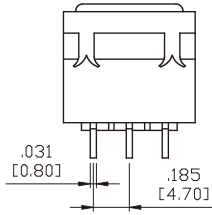


DP

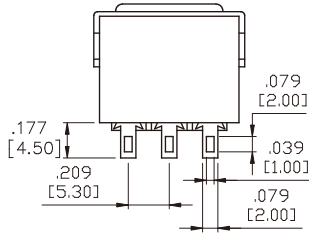


TERMINATION OPTIONS

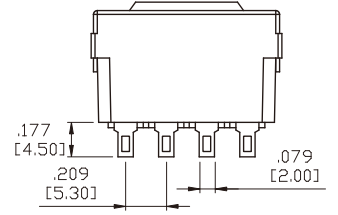
M1



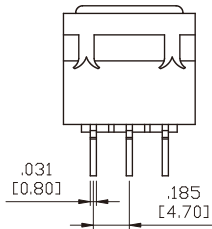
3P



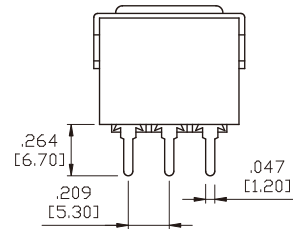
4P



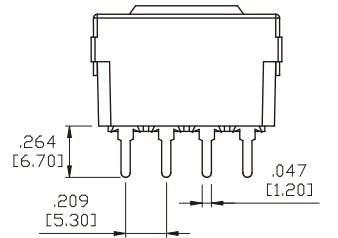
M2



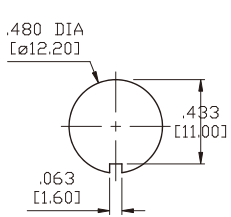
3P



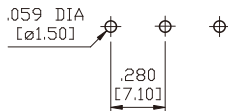
4P



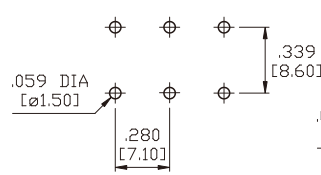
PANEL & PC MOUNTING



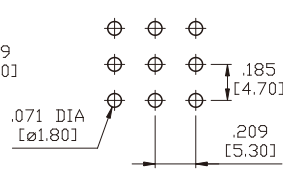
SP



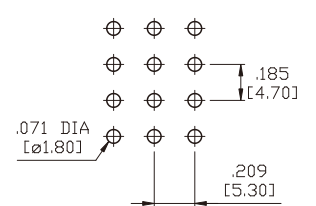
DP



3P



4P



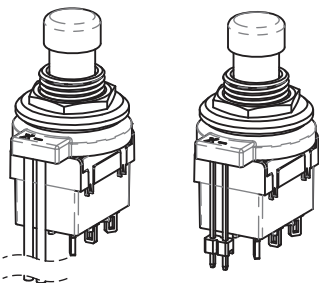
Panel Thickness 3.00mm max.

LED TYPE & MOUNTING

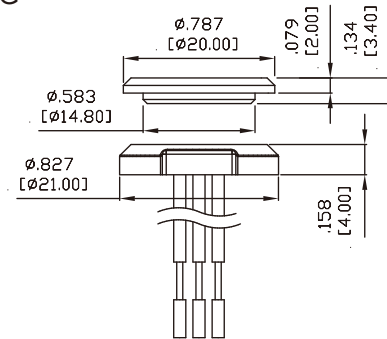
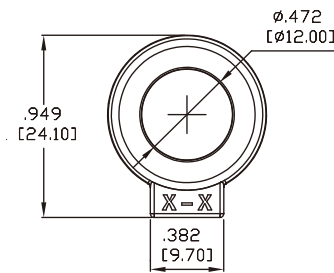
SINGLE COLOR LED

LW

LP



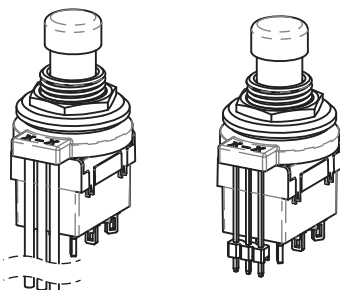
DIMENSIONS OF THE LED RING



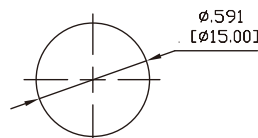
DUAL COLOR LED

LW

LP

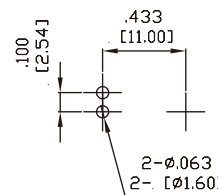


Mounting Cut-out

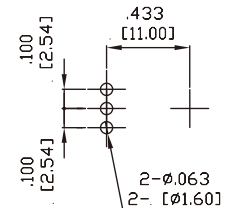


Panel Thickness:
0.8mm Min.
3.0mm Max.

Single Color
PCB Mounting Layout



Dual Colors
PCB Mounting Layout



Toggle

Rocker

Slide

Pushbutton

AV

Rotary

Tact

Touch Key

Miscellaneous

LED COLOR OPTION

Code	Single color LED
R	Red
B	Blue
G	Green
Code	Dual color LED
RB	Red / Blue
RG	Red / Green
GB	Green / Blue